

Get the big picture.
Read these installation
instructions. Check to see
that you have all the parts
on the hardware list.

Gather the tools you'll need.



Phillips Screw
Driver



Mallet or
Hammer

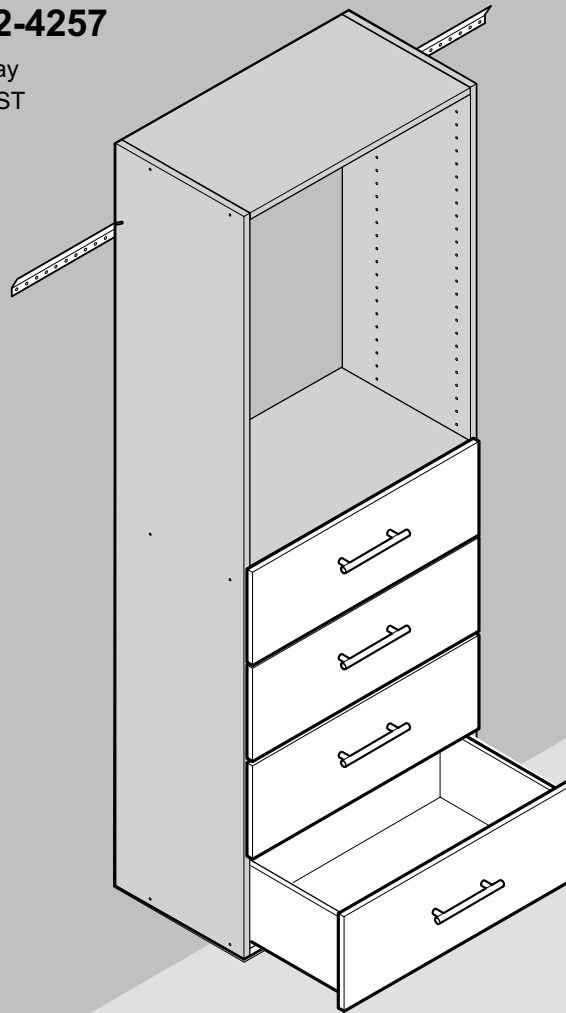
If you have any questions, or
you're missing parts, please
call our customer care
department.

1-800-562-4257

Monday - Friday
8am to 5pm EST

RD2408

8" Garage Drawer



For design ideas and answers to frequently asked questions, visit our Web site, www.easytrack.com

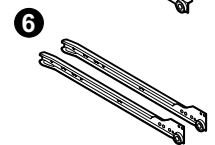
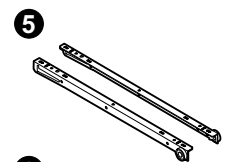
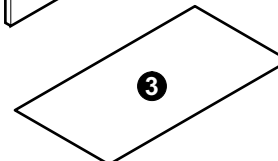
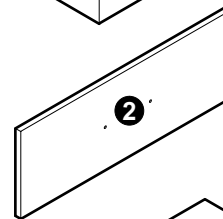
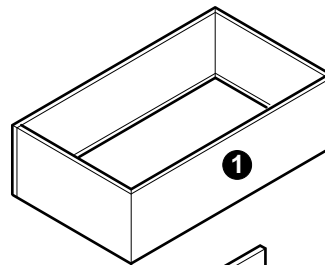
Look inside

This carton should include:

- ① Drawer wrap (1)
- ② Drawer front (1)
- ③ Drawer bottom (1)
- ④ Drawer handle (1)
- ⑤ Drawer slide member (2)
- ⑥ Cabinet slide member (2)

Hardware:

- Handle screws (2)
- #8 x 7/8" pan head screws (2)
- #8 x 1/2" flat head screws (6)
- Euro screws (4)

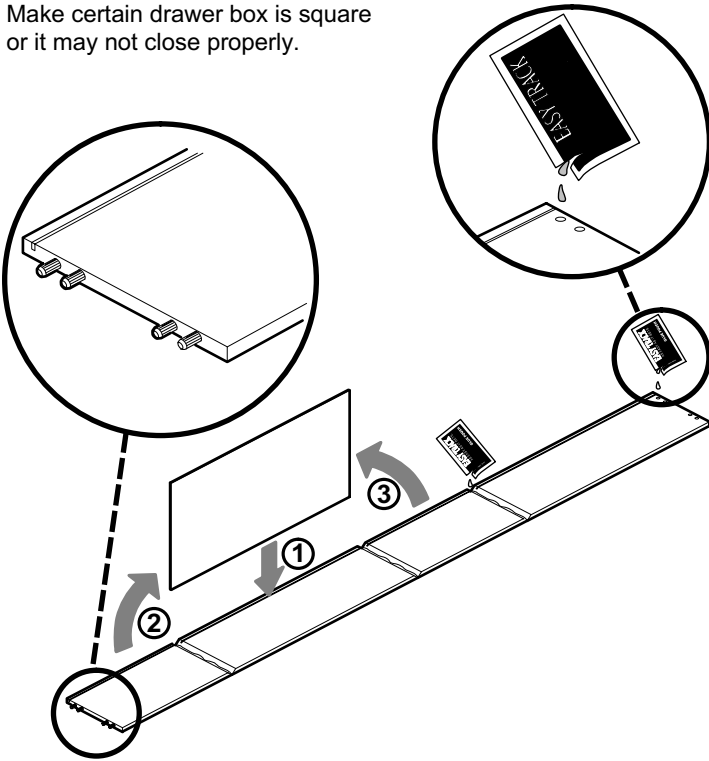


EASY TRACK™
AS EASY AS IT GETS.

1 Lay drawer wrap flat on the floor. Apply glue (provided) into the (3) three v-grooves and a small amount into the dowel holes.

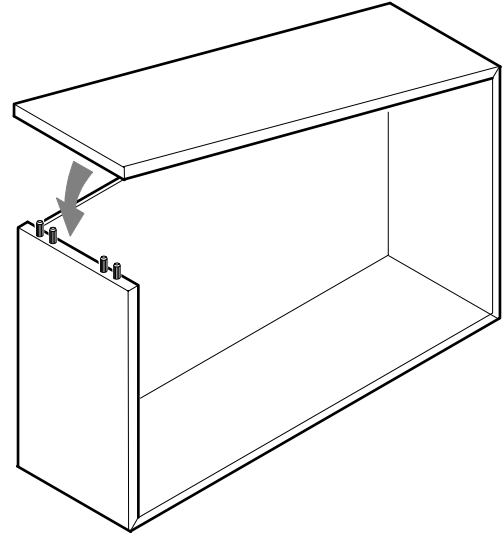
Position drawer bottom into the slot in the drawer wrap.

TIP:
Make certain drawer box is square or it may not close properly.



2 Fold the drawer wrap around drawer bottom. Tap the doweled corners together with a rubber mallet, so the ends are tight and corners are square.

Wipe off excess glue and allow to dry.

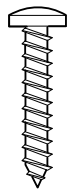
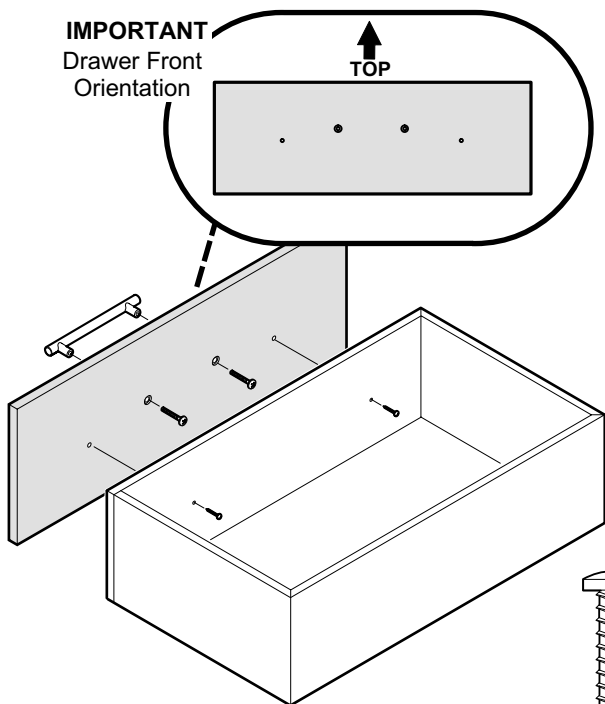


3 Attach the handle to drawer front using (2) drawer handle screws.

Attach the drawer front using (2) #8 x 7/8" Pan Hd. screws. Using a hand screw driver hand tighten drawer front to drawer wrap.

IMPORTANT
Drawer Front Orientation

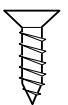
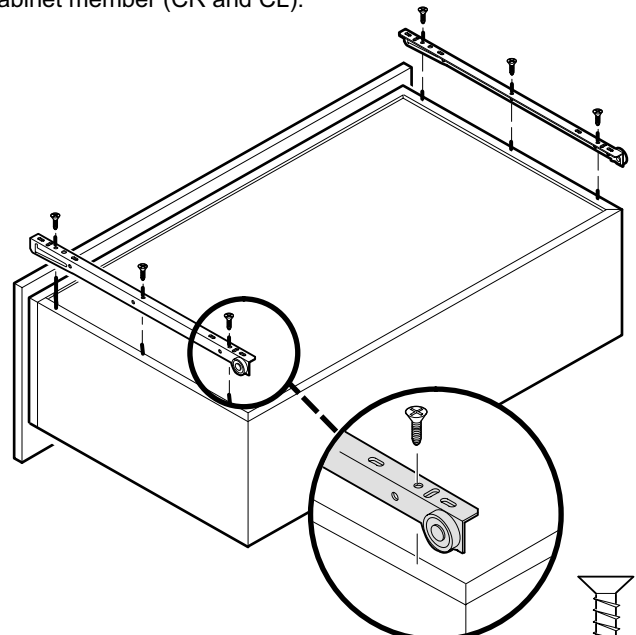
↑
TOP



#6 x 1/2" Flat Head Screw

4 Position drawer box upside down on the floor. Attach the right (DR) and left (DL) drawer slide members to the bottom of the drawer box using (6) #6 x 1/2" screws. The wheel should be positioned to the back of the drawer and the front of slide member flush with drawer face.

TIP:
Drawer slides consist of a right and left slide member (DR and DL), and a right and left cabinet member (CR and CL).



#8 x 7/8" Pan Head Screw

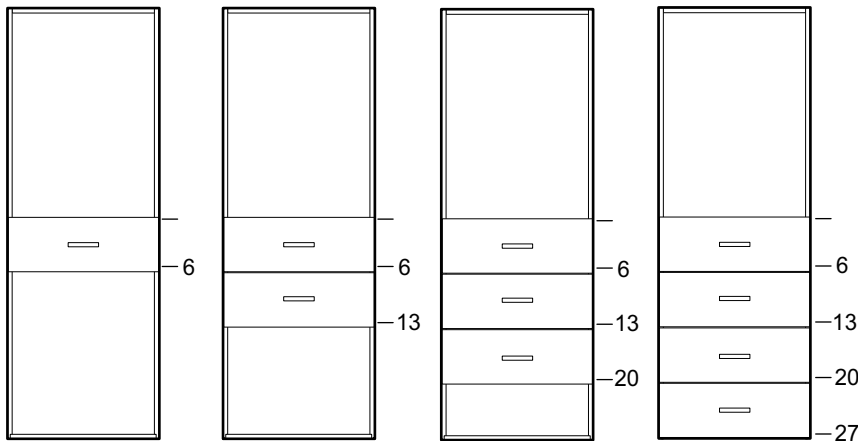
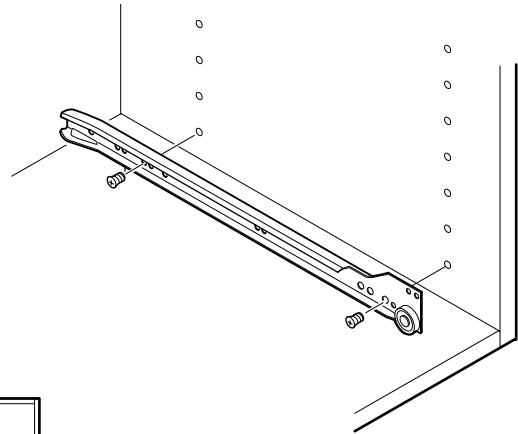
5 Determine the drawer location.

Align front edge of slide with front edge of the vertical. Secure the slide using (2) Euro screws on each side. Wheel must be positioned toward front of the vertical panel.

When installing below the fixed middle shelf: allow five (5) open holes between cabinet slide members and shelf.

When installing drawers below one another: allow six (6) open holes in vertical panels between cabinet slide members.

Refer to the following images to help determine slide locations. The numbers shown below indicate which holes the slides should be installed in, spacing is base off the fixed middle shelf.

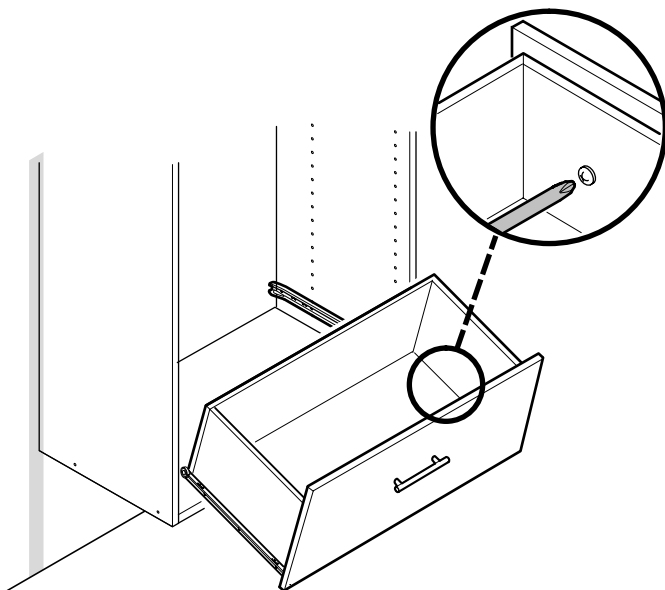


Euro Screw

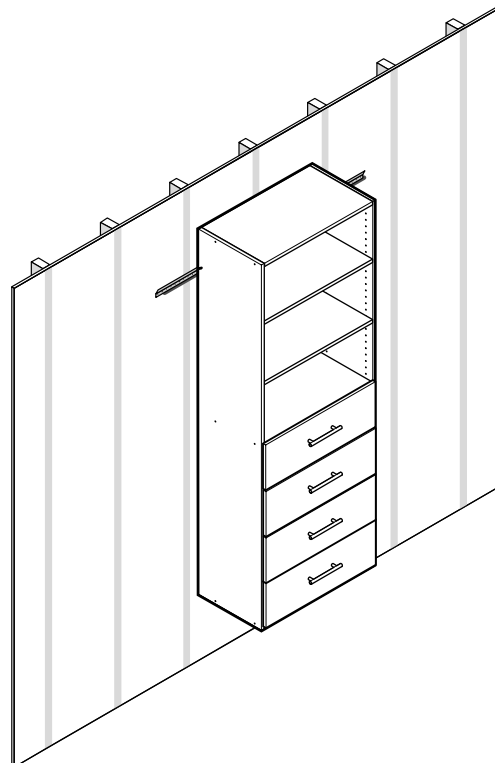
6 Holding the drawer at an angle, position the drawer slide members into the cabinet slides.

TIP:

After drawers are installed align drawer fronts and tighten drawer front screws.



7 Congratulations! Your drawer installation is complete.



LIMITED LIFETIME WARRANTY

Easy Track Products are manufactured using the highest quality materials to exact tolerances. Our Products include a limited lifetime warranty. Easy Track warrants that the Products you purchased will be free from defects in material and workmanship for the normal lifetime of the Products. Easy Track will repair or replace any component of the Products you purchased at no charge, if it is defective. Return of the defective item may be required by Easy Track. For a complete warranty policy see www.easytrack.com



3311 Windquest Drive
Holland, MI 49424
800-562-4257
616-399-3311
616-399-8784 fax
www.easytrack.com
Rev. 7/07