

Get the big picture. Read these installation instructions. Check to see that you have all the parts on the hardware list. If you're adding optional components, such as drawers, you'll find instructions for installing them in their cartons.

Check the type of wall. The screws and toggle bolts in the carton should only be used on standard drywall, wallboard, or sheetrock walls. To attach the system to other walls, such as cement or block, use suitable wall anchors, available from your local hardware store.

Gather the tools you'll need.



Tape measure



Masking tape



Stud finder



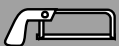
Level



Pencil



Power drill and no. 2 Phillips, 1/8" and 1/2" drill bits



Hack saw

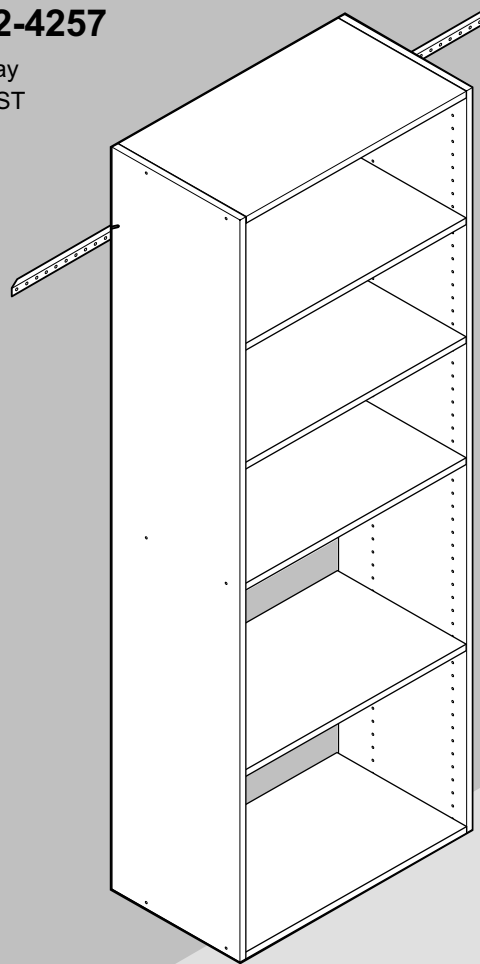
If you have any questions, or you're missing parts, please call our customer care department.

1-800-562-4257

Monday - Friday
8am to 5pm EST

RG1472

Garage Shelf Tower



For design ideas and answers to frequently asked questions, visit our Web site, www.easytrack.com

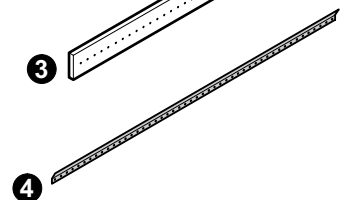
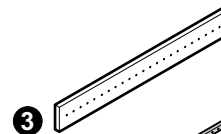
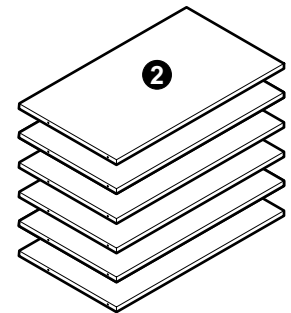
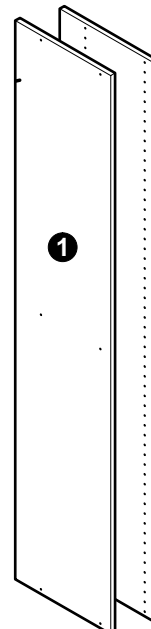
Look inside

This carton should include:

- ❶ 72" vertical panels (2)
- ❷ 23-7/8" shelves (6)
- ❸ 23-7/8" support cleat (1)
- ❹ 32" Easy Track track (1)

Hardware:

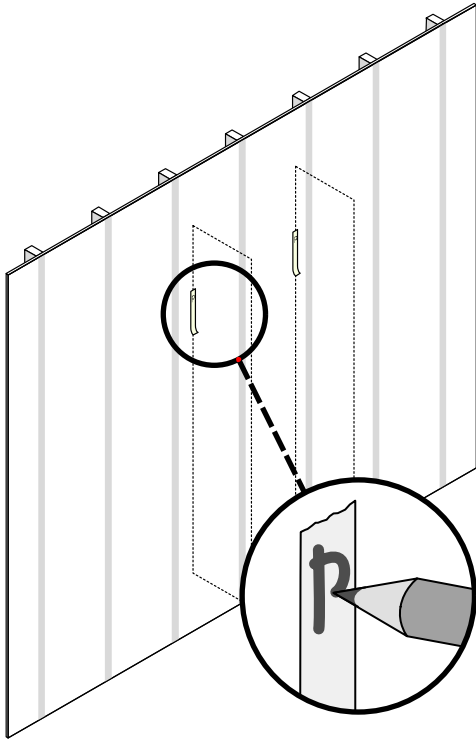
- 🔗 shelf pins (12)
- 🔧 toggle bolts with screws (2)
- 🔩 #8 x 2" screws (19)



EASY TRACK™
AS EASY AS IT GETS.

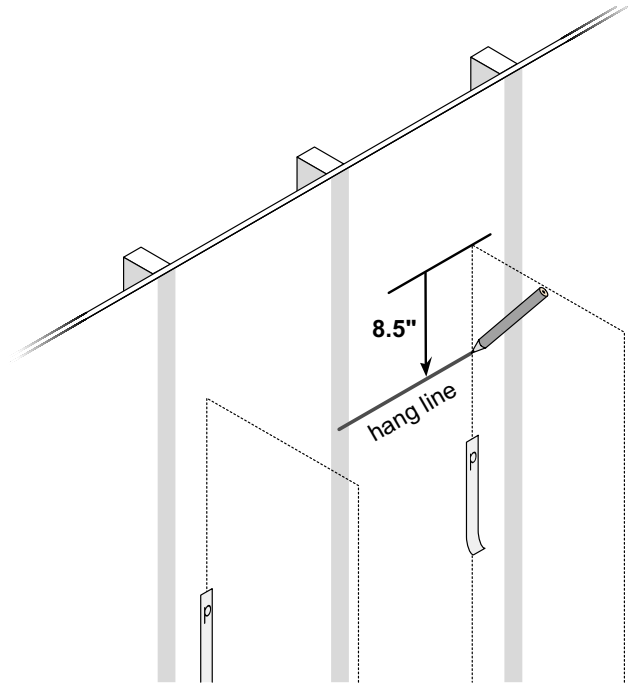
1 Mark locations of vertical panels with masking tape.

TIP:
Panel locations can be changed for other configurations.



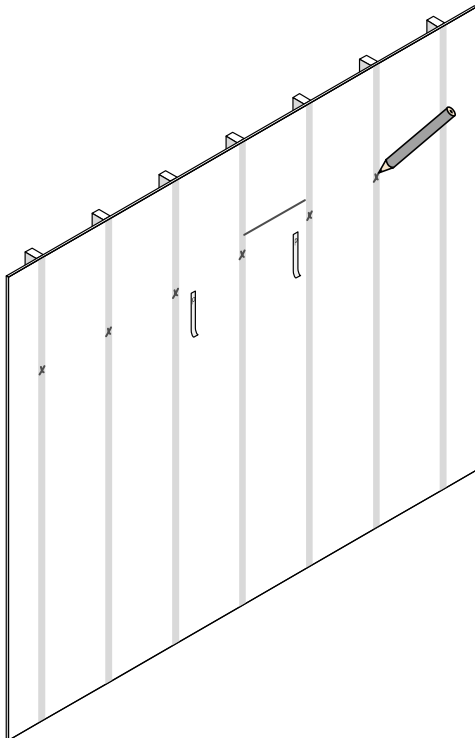
2 Decide where to locate the top of the vertical panel. Mark a hang line for the track 8.5" down from top of vertical panel.

TIP:
We recommend marking the hang line at 76" off the ground.



3 Mark locations of studs.

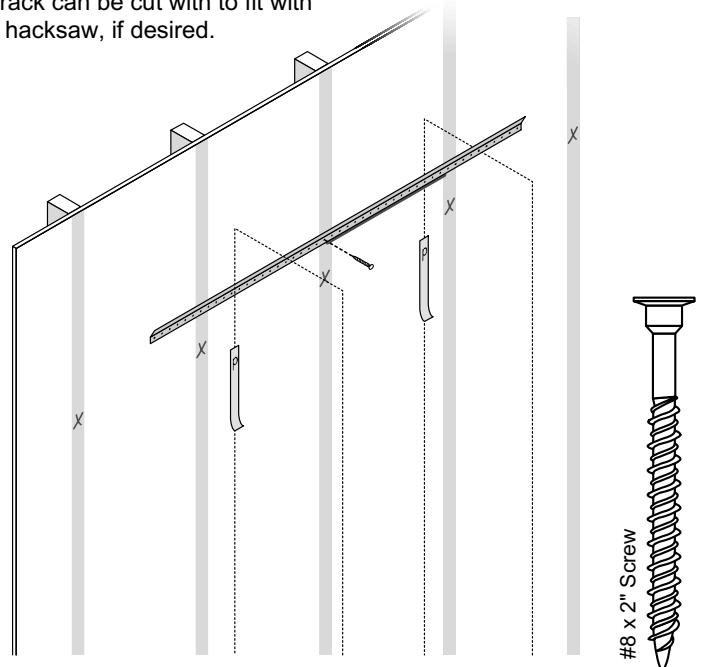
TIP:
Studs are often 16" apart.



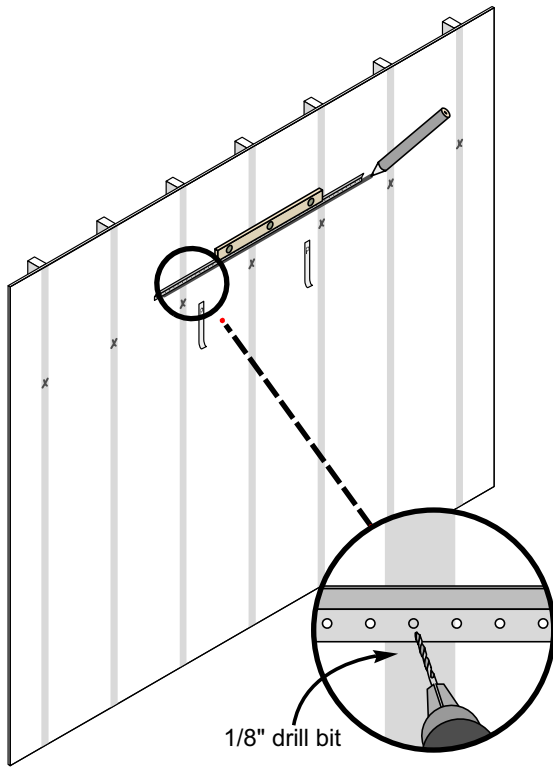
4 Place track against wall so track extends approximately 4" beyond location of vertical panel that will be on the left. Make sure bottom of track lines up with hang line and screw into the stud that's nearest to the center of the track.

TIP:
Drilling an 1/8" pilot hole will make it easier to screw into the stud.

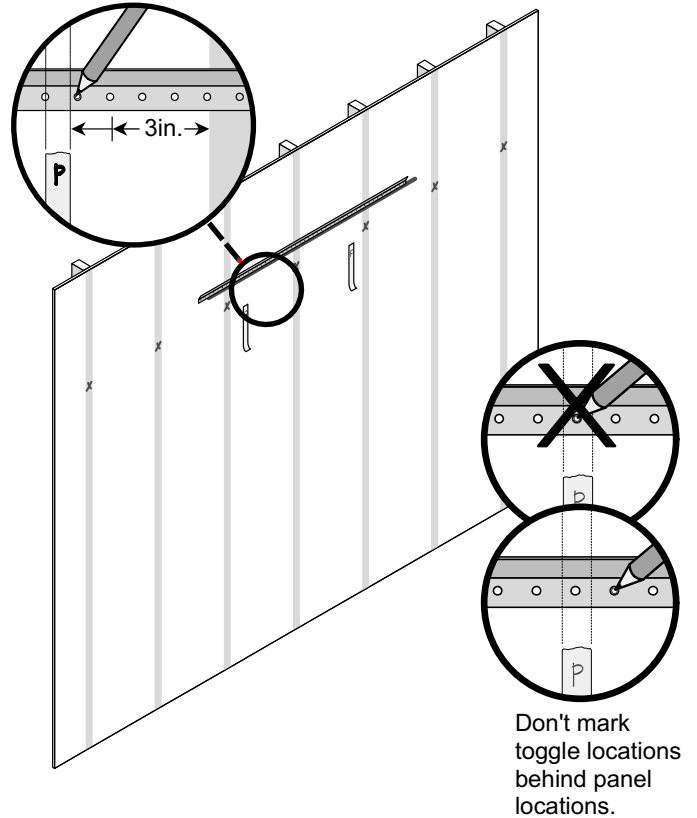
Track can be cut with to fit with a hacksaw, if desired.



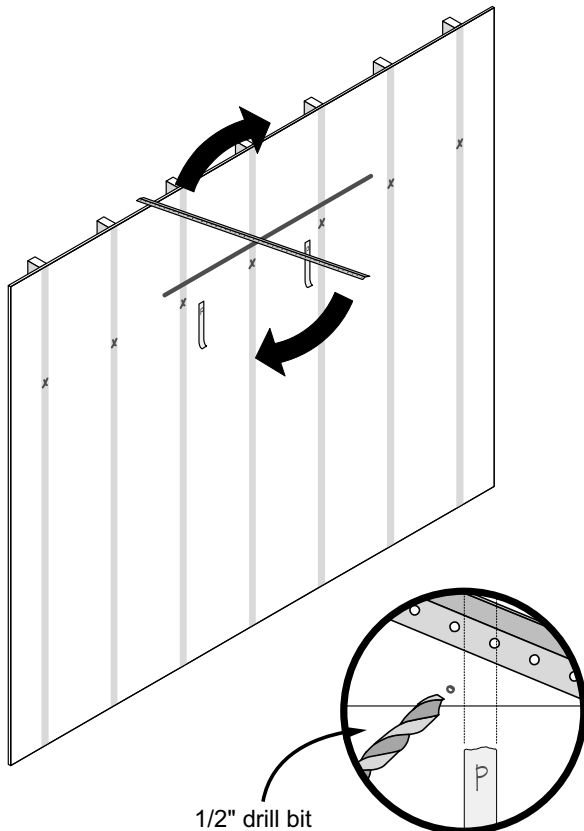
- 5** Level the track and mark a line along its bottom edge. Drill 1/8" pilot holes into each stud location and in the last hole of the track on both ends of the wall.



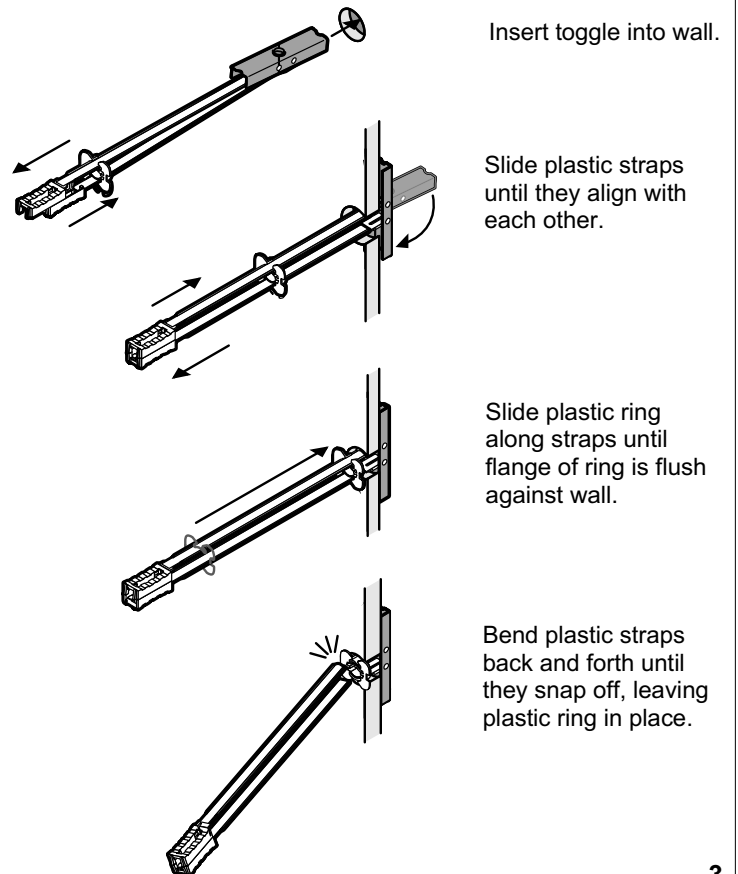
- 6** If a vertical panel will be more than 3" from a stud, you'll need to use a toggle to support that panel. Mark toggle locations next to vertical panel locations. If panel will be less than 3" away, skip to step 9.



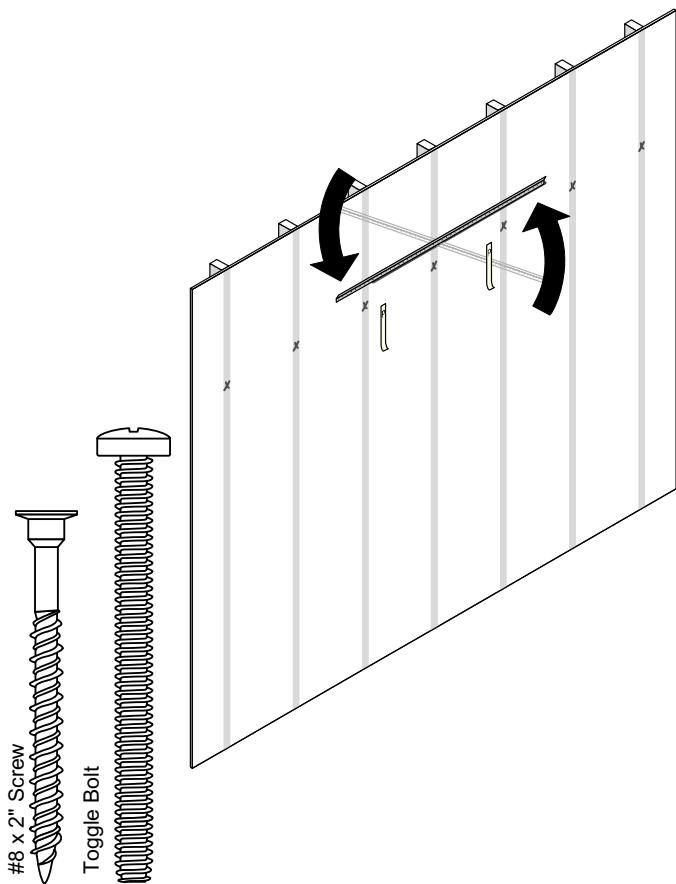
- 7** Rotate track out of position, then drill toggle holes. Use 1/2" drill bit.



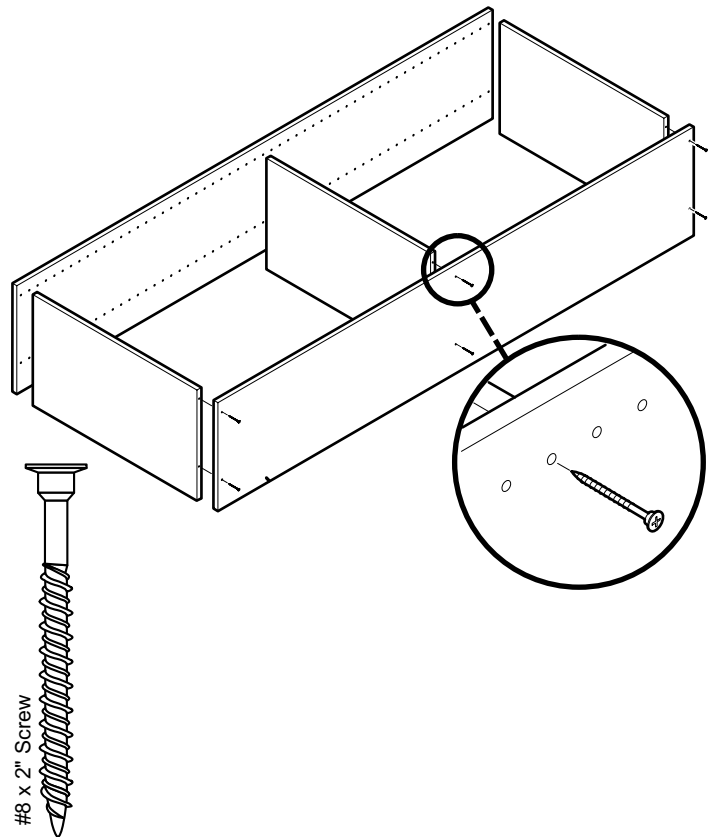
- 8** Install toggle channels.



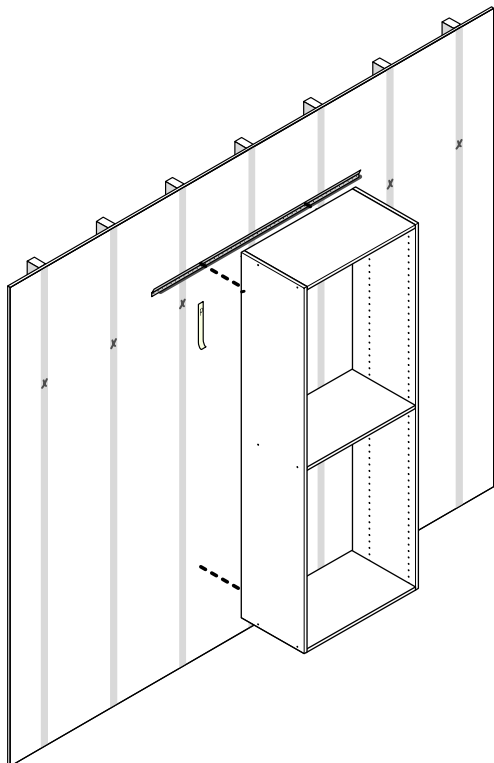
9 Rotate track back into position. Bolt and screw track to wall until track is flush to wall.



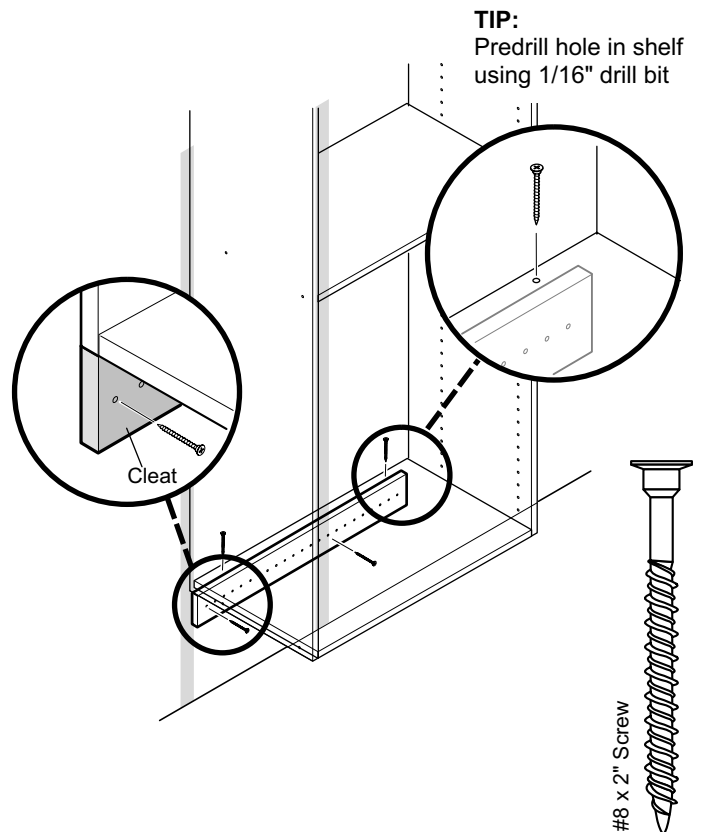
10 Assemble unit on the floor, attach three fixed shelves to vertical panels using #8 x 2 inch screws. Install a fixed shelf at top, bottom, and center of unit.



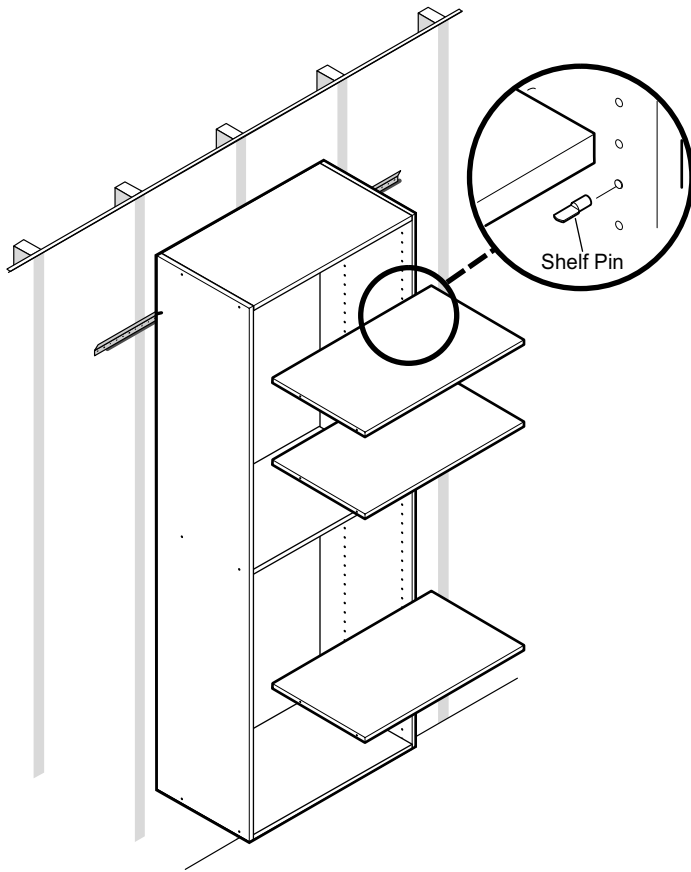
11 Hang assembled tower in marked position.



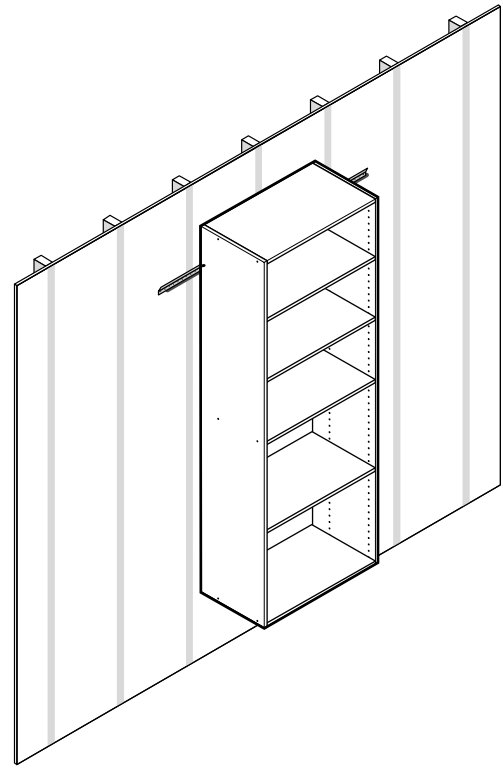
12 Attach the support cleat to the back wall of the closet, below bottom fixed shelf. Secure to at least one stud, using #8 x 2 inch screws.



13 Install adjustable shelves with shelf pins.



14 Congratulations!
Your tower installation is complete. Refer to component instructions for adding drawers and doors.



LIMITED LIFETIME WARRANTY

Easy Track Products are manufactured using the highest quality materials to exact tolerances. Our Products include a limited lifetime warranty. Easy Track warrants that the Products you purchased will be free from defects in material and workmanship for the normal lifetime of the Products. Easy Track will repair or replace any component of the Products you purchased at no charge, if it is defective. Return of the defective item may be required by Easy Track. For a complete warranty policy see www.easytrack.com

WINDQUEST

3311 Windquest Drive
Holland, MI 49424
800-562-4257
616-399-3311
616-399-8784 fax
www.easytrack.com
Rev. 7/07