

Get the big picture. Read these installation instructions. Check to see that you have all the parts on the hardware list now, if you want to.

Gather the tools you'll need.



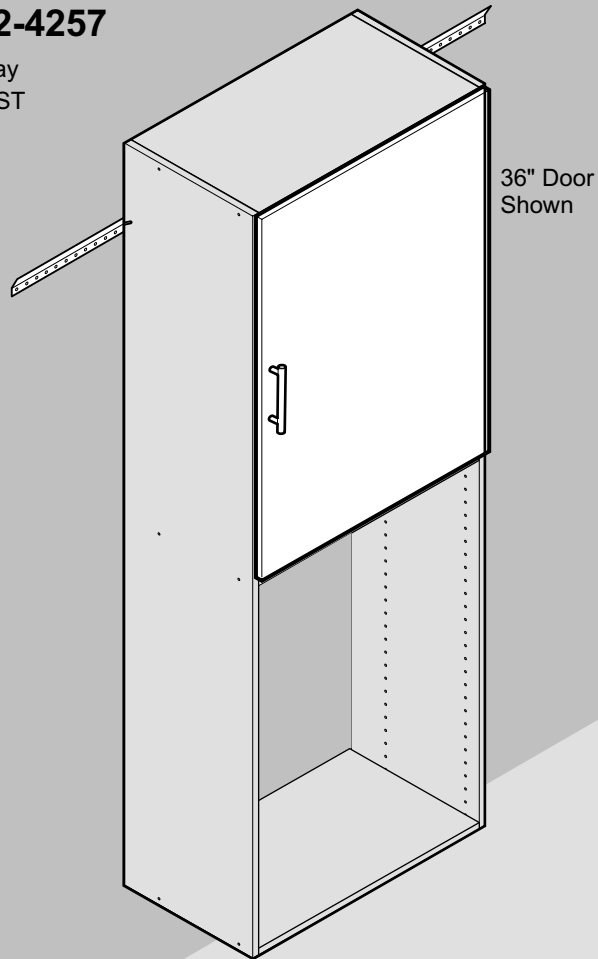
Phillips Screw Driver

If you have any questions, or you're missing parts, please call our customer care department.

**1-800-562-4257**

Monday - Friday  
8am to 5pm EST

## RP2436 / RP2472 36"/72" Garage Door





For design ideas and answers to frequently asked questions, visit our Web site, [www.easytrack.com](http://www.easytrack.com)

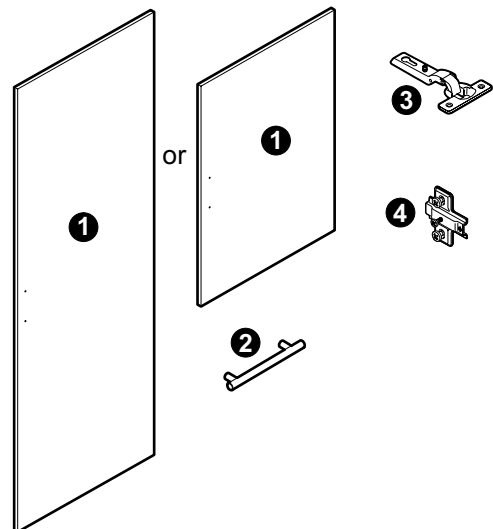
### Look inside

This carton should include:

- ❶ Door (1)
- ❷ Handle (1)
- ❸ Hinges  
(2 for 36" door)  
(4 for 72" door)
- ❹ Hinge plates  
(2 for 36" door)  
(4 for 72" door)

Hardware:

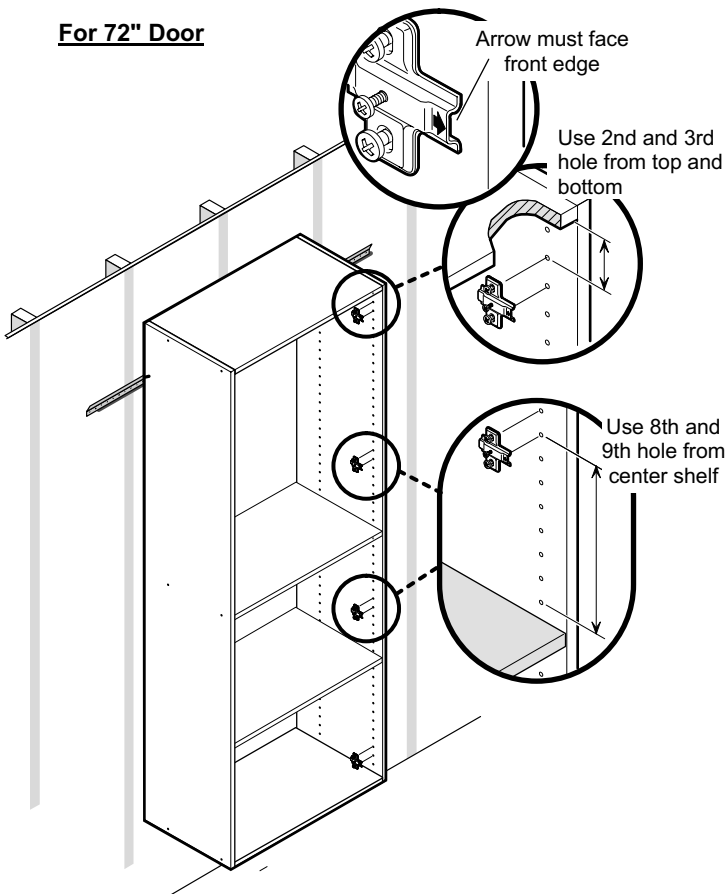
-  Handle screws (2)
-  #6 x 1/2" Flat head screws  
(4 for 36" door)  
(8 for 72" door)



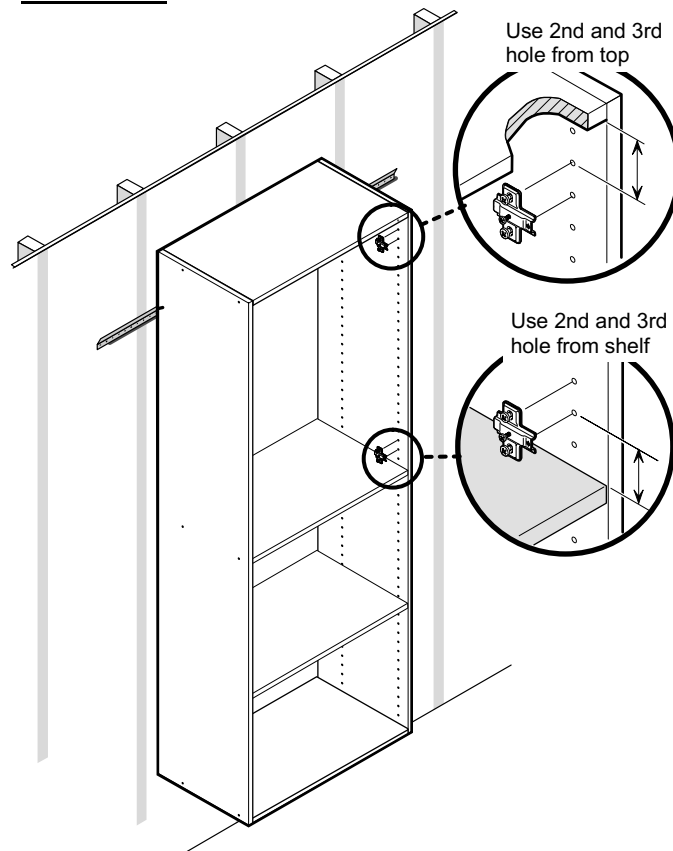
**EASY TRACK™**  
AS EASY AS IT GETS.

**1** Attach mounting plates to vertical panel. See illustrations for mounting plate locations.

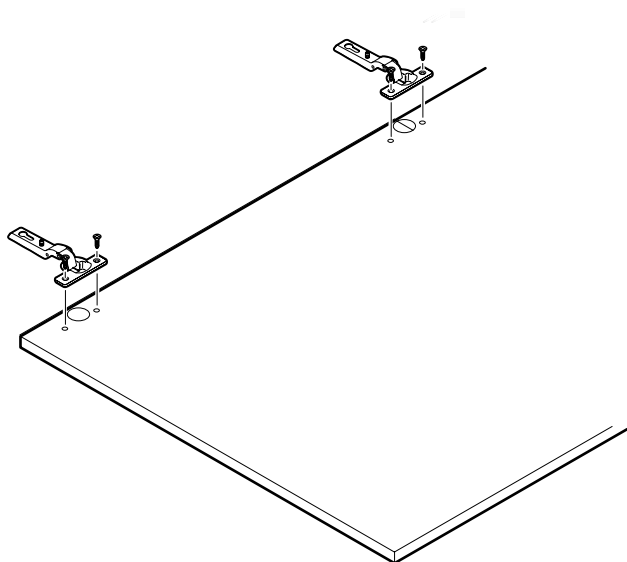
**For 72" Door**



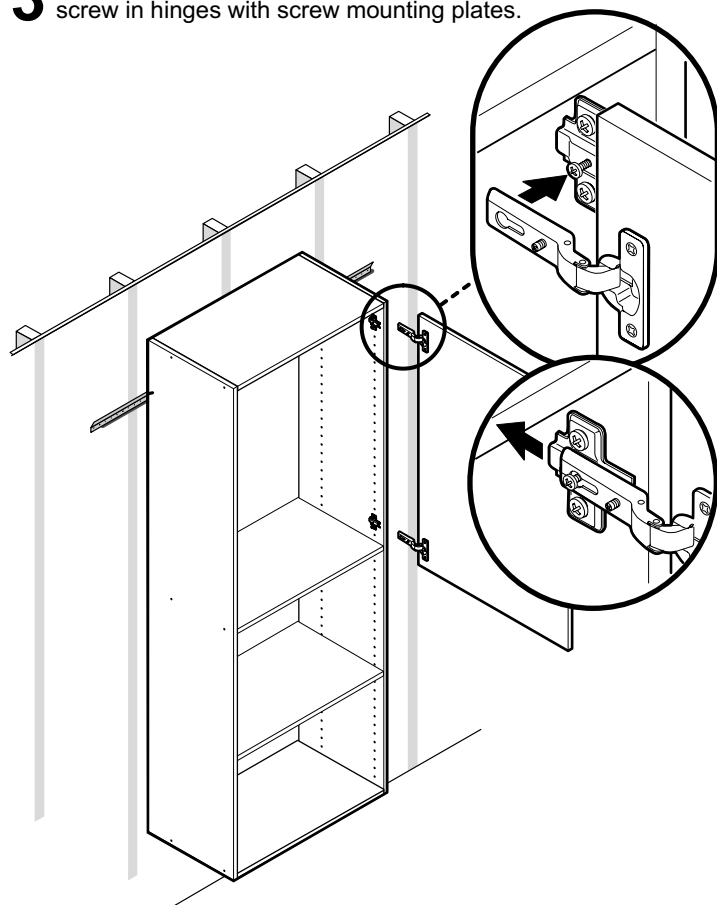
**For 36" Door**



**2** Press hinges into pre-drilled holes in doors, secure each hinge with two #6 x 1/2" screws.

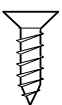


**3** Attach door to mounting plate by aligning "A" screw in hinges with screw mounting plates.

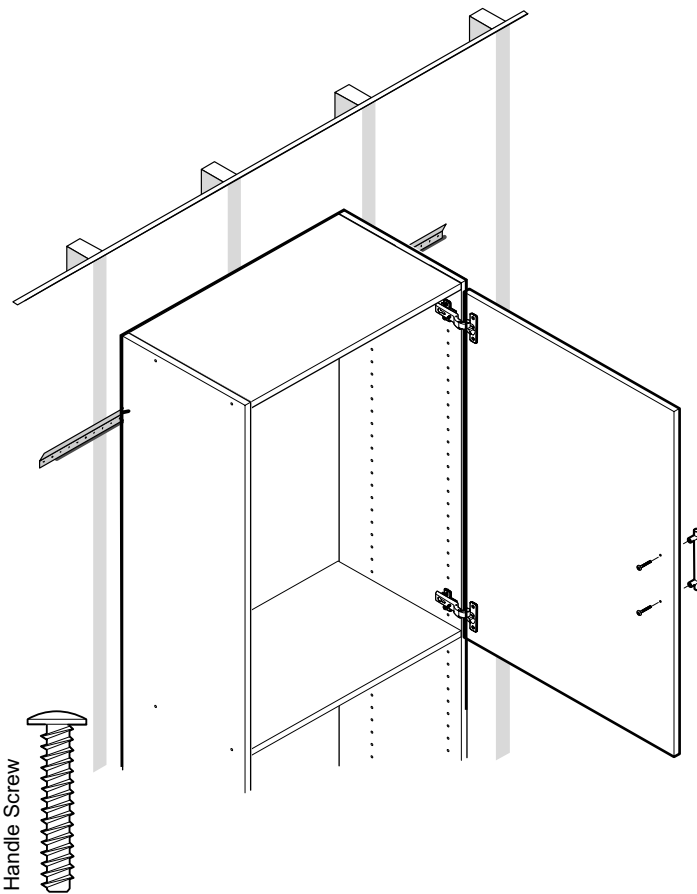


**2**

#6 x 1/2" Flat Hd. Screw



**4** Attach handles using two handle screws.

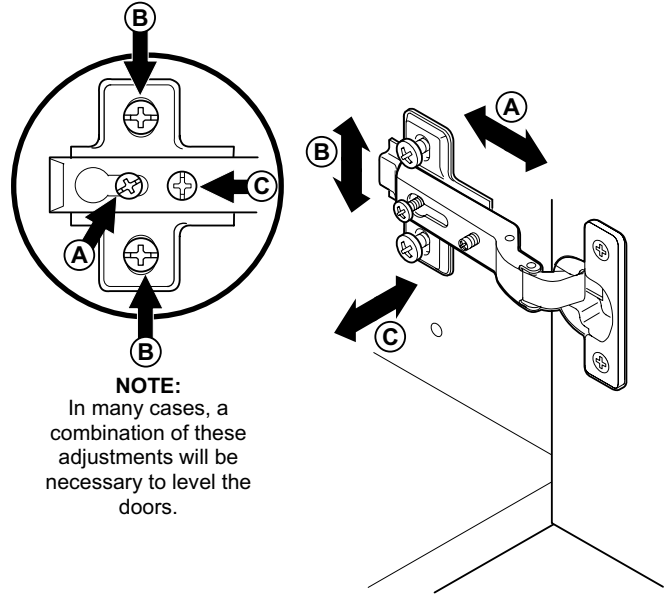


**5** Level doors, by making the following hinge adjustments:

**Side to Side Adjustment** - Loosen screw "A", adjust gap with screw "C", and re-tighten screw "A".

**Depth Adjustment** - Loosen screw "A", adjust depth, and tighten.

**Height Adjustment** - Loosen screws "B", adjust door to desired position, and tighten.



LIMITED LIFETIME WARRANTY

Easy Track Products are manufactured using the highest quality materials to exact tolerances. Our Products include a limited lifetime warranty. Easy Track warrants that the Products you purchased will be free from defects in material and workmanship for the normal lifetime of the Products. Easy Track will repair or replace any component of the Products you purchased at no charge, if it is defective. Return of the defective item may be required by Easy Track. For a complete warranty policy see [www.easytrack.com](http://www.easytrack.com)

**WINDQUEST**

3311 Windquest Drive  
Holland, MI 49424  
800-562-4257  
616-399-3311  
616-399-8784 fax  
[www.easytrack.com](http://www.easytrack.com)  
Rev. 7/07